

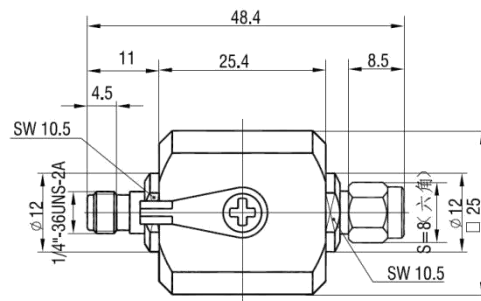
TRSW-SMA Coaxial Surge Arrester

Antenna feeder lightning arrester is a kind of surge protector, which is mainly used for lightning protection for feeder lines. Antenna-fed lightning arrester is also called antenna-fed signal lightning arrester, antenna-fed lightning arrester, antenna-fed line lightning arrester, and antenna-fed line lightning arrester. In the actual selection, the product's frequency range, insertion loss, maximum discharge current and other parameters are the primary considerations.

The coaxial antenna feeder lightning protector can prevent damage to the antenna and transceiver equipment caused by the feeder induced lightning overvoltage. It is suitable for the surge protection of the signal of the coaxial antenna feeder system such as satellite wireless communications, mobile base stations, microwave communications, and broadcast television. Installed in the lightning protection zone LPZ0A-1 and subsequent zones. The product is packaged in a shielded shell, built-in high-quality high-speed overvoltage protection devices, and has an efficient protection and defense function for the lightning high-voltage pulse induced on the antenna feeder line.

Features:

1. With replaceable integrated gas discharge tube.
2. Fast response without interruption.
3. Metal shell SMA type connection, easy to install.



Electrical Characteristics

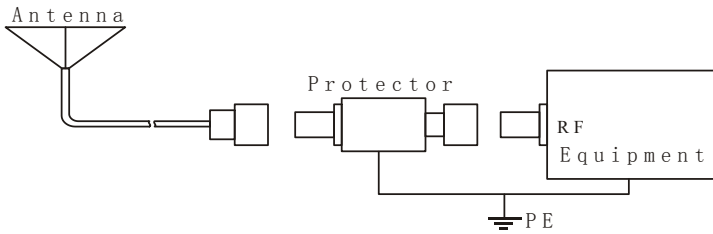
Type name	TRSW-SMA					
Interface type	Male to female					
Gas discharge tube arrester:	90V/230V/350V can be option					
Frequency range	DC-2.5GHz					
Operating current	none					
Max. discharge current (8/20 μ s) (I _{max})	10KA					
Insertion loss	<0.2dB					
Insulation resistance	$\geq 5000 \text{ M}\Omega$					
Impedance	50 Ω					
Input Power	<20W	<50W	<100W	<200W	<400W	<500W
Initial Discharge Voltage	$\geq 50\text{V}$	$\geq 70\text{V}$	$\geq 120\text{V}$	$\geq 190\text{V}$	$\geq 280\text{V}$	$\geq 280\text{V}$
Protection mode(s)	Common mode					

Mechanical Characteristics

Technology	GDT					
Connection to Network	Connector male to female					
Mounting	freedthrough					
Housing material	Brass HPb59-1 GB4425-84					

Working temperature	-40°C-- +70°C
Degree of protection	IP20
Failsafe mode	short-circuit
Disconnection indicator	transmission interrupt

Installation diagram:



Installation method of lightning protection device:

1. In order to reliably prevent lightning attacks, an antenna-fed lightning arrester can be connected in series to the antenna output end and the input end of the protected equipment. In areas with less lightning, if the antenna does not have an amplifier, you can also use only one antenna.
2. Weld the lug on the lightning arrester with the shortest possible grounding wire (the cross-sectional area of the wire is not less than 2.5mm), and the other end is reliably connected to the grounding bus of the lightning protection system, and the grounding resistance is not more than 4Ω.
3. When using the sky-fed lightning arrester outdoors, you must pay attention to rain protection, and must not allow rainwater to penetrate into it and cause corrosion damage.
4. This product does not require special maintenance. When the system fails, the lightning protector can be removed and then checked. If the system returns to normal after it is restored to the state before use, it means that the lightning protector has been damaged and must be replaced immediately.

Precautions for installation of lightning protection device:

1. This series of lightning arresters do not divide input and output terminals, and any port can be connected to the protected equipment.
2. Do not connect the positive and negative lines reversely or wrongly, and remember not to work with electricity.
3. The closer the lightning protection device is installed to the front end of the protected equipment, the better the effect.